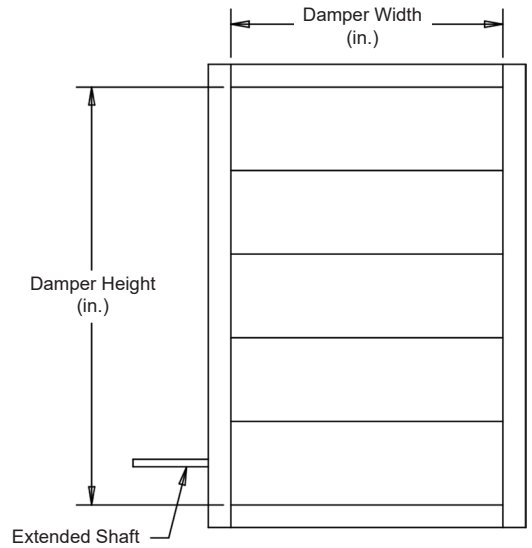


**Industrial Damper ▲ 10" Deep ▲ Airfoil Blades ▲ Channel Frame ▲ Hot Rolled Steel ▲ 800°F Max Temperature**

**For use up to 15 in. w.g. static pressure**

**STANDARD MATERIALS AND CONSTRUCTION**

- FRAME:** 2" x 10" x 2", 10 GA. hot rolled steel formed channel frame.
- BLADE:** 10 GA. hot rolled steel, airfoil design, to a maximum 60" length.
- SHAFT:** 1" dia. plated cold-finished steel, corrosion resistant, for up to 48" in length. 1" dia. for up to 60" length.
- BEARINGS:** Stainless steel flanged sleeve, bolted to the frame.
- LINKAGE:** ½" dia. inter-connecting rod with trunnion pivot fasteners, located in jamb.
- OPERATOR:** Manual hand quadrant or lever arm for motor actuator. Specify type when ordering.
- FINISH:** Mill.
- TEMP. LIMIT:** 800°F  
Consult the factory for temperature limits over 800°F.



**OPTIONS**

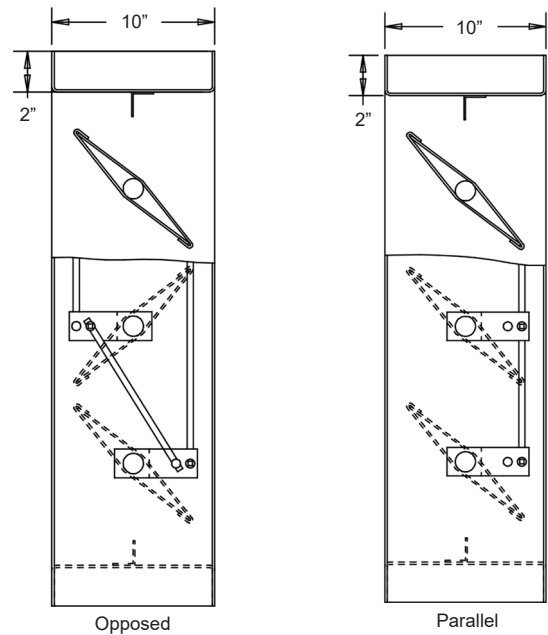
- Stuffing boxes and replaceable packing
- Jamb Seals - Stainless steel
- Blade Edge Seals - Stainless steel
- Flanges other than the standard 2" wide
- Finishes - Acrylic, baked enamel, etc.
- Perimeter holes: one flange or two flanges
- Other types of bearings
- Materials - Corten available

**NOTES**

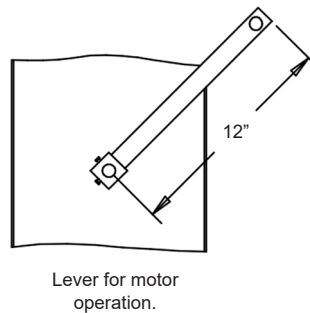
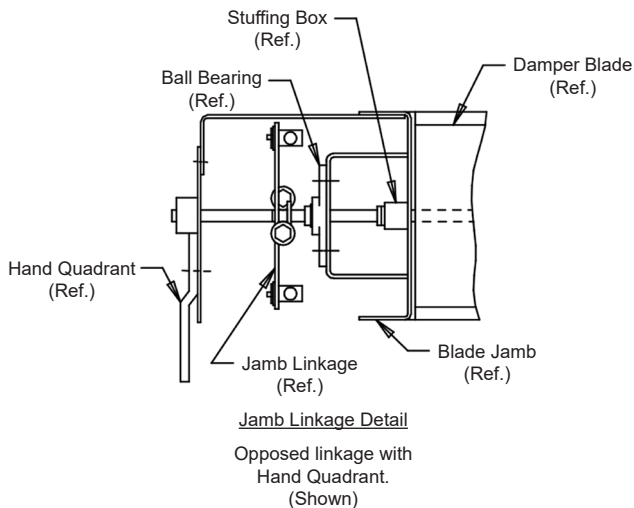
1. ¼" nominal deduction will be made to the opening size given.
2. Construction may be with other materials when required to meet special conditions, such as: temperature, pressure, velocity, system environment, or other specifications.
3. This damper is not available in stainless steel.
4. Approximate shipping weight is 18 lbs./sq.ft.

**DAMPER SIZES**

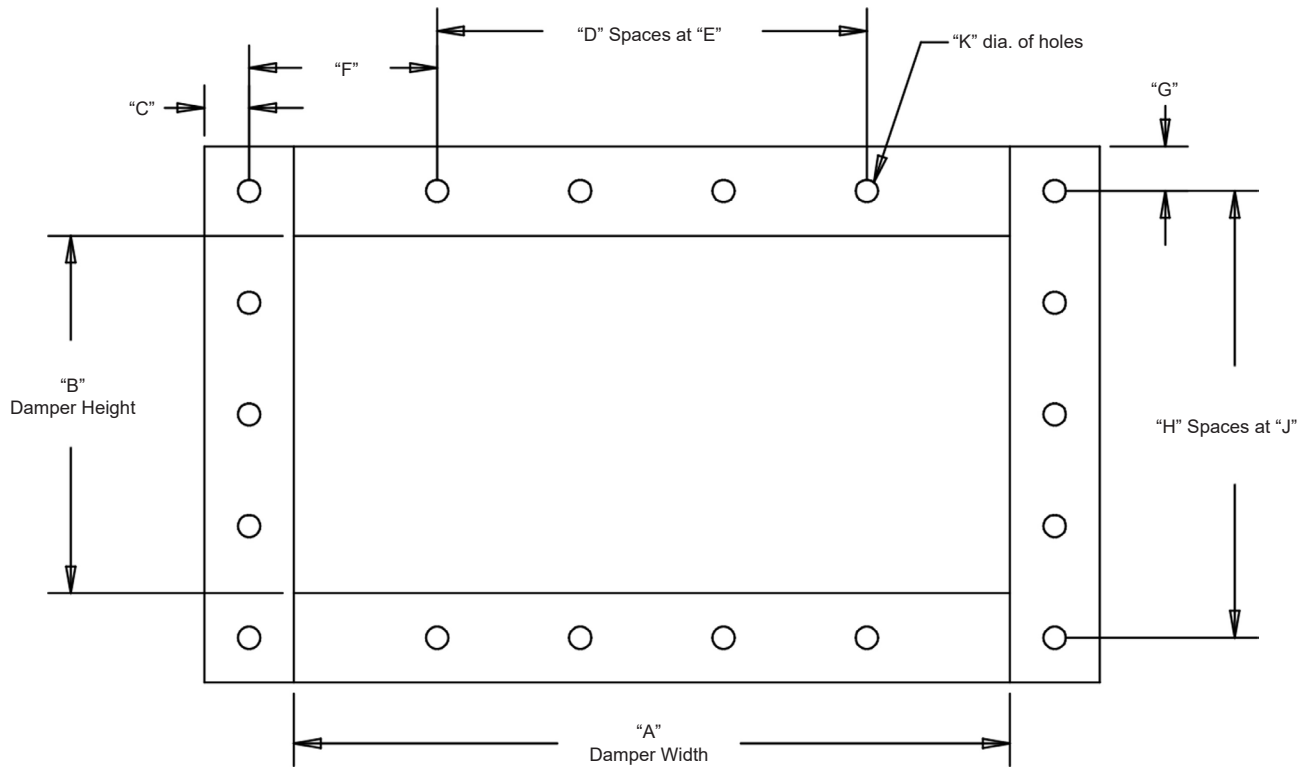
Min. Size	Max. Size
6"W x 6"H (Single Blade)	60"W x 96"H
6"W x 12"H (Opposed)	



Not to scale.



**Industrial Damper ▲ 10" Deep ▲ Airfoil Blades ▲ Channel Frame ▲ Hot Rolled Steel ▲ 800°F Max Temperature**



Item #	Qty	"A" Width	"B" Height	"C"	"D"	"E"	"F"	"G"	"H"	"J"	"K"	"M"	Para	Oppo	Hand Quad	Motor Lever Arm		
		<b>Damper Size</b>		<b>Damper Specifics</b>								<b>Blade Position</b>		<b>Actuator</b>		<b>Union Made</b>		
<b>Arch. / Eng.:</b>						<b>EDR:</b>						<b>ECN:</b>				<b>Job:</b>		
<b>Contractor:</b>																		
<b>Project:</b>						<b>Date:</b>						<b>DWN:</b>				<b>DWG:</b>		